

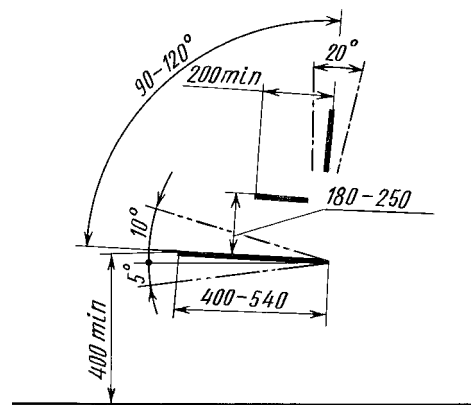
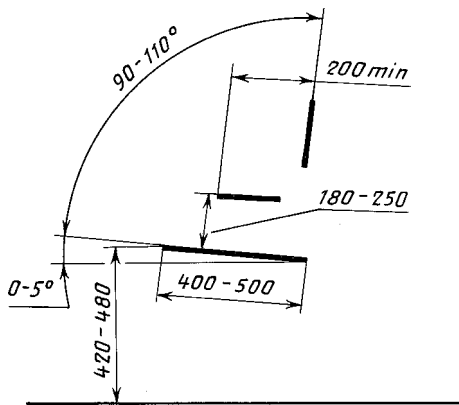
MKC 97.140
5612

Office furniture.
Functional dimensions of arm-chairs

26800.2-86

01.01.87

- 1.
- (, . 1).
- 2.
- .2.



Черт. 2

- 1.
- 2.
- 3.
- 3.
- 4.
- 5.
- 6. 200 ()
- 450 ;
- 250 .

540

13025.2.

450 .

- 1. :
320 .
- 2. ,
320 .
- 7. -
13025.2.

- 1. , - -
- 2. 14.01.86 86
- 3. -

13025.2-85	4; 7
------------	------

- 4. 06.09.91 1432
- 5. (2003 .) 1, 1991 .(12—91)